



GENUINE PARTS

INSTALLATION INSTRUCTIONS

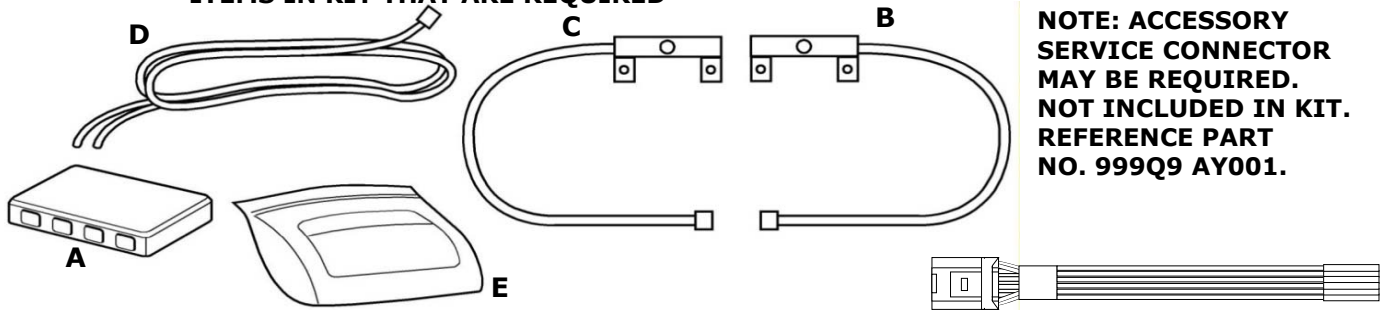
1. DESCRIPTION:	Interior Accent Lighting Kit.
2. APPLICATION:	Murano
3. PART NUMBER:	999F3 C3000 - Interior Accent Lighting Kit. 999Q9 AY001 - Accessory Service Connector

4. KIT CONTENTS:			
Item	QTY	Part Description	Part Number
A	1	Control module	999F3 C3400
B	1	LED Lamp and harness assembly Left Footwell	999F3 C3100
C	1	LED Lamp and harness assembly Right Footwell	999F3 C3200
D	1	Vehicle Interface Harness	999F3 AW050
E	1	Fixing Kit (see BOM for details)	999F3 C3300
F	1	Website Instructions w/Parts List	999V2 AW000

ITEMS NOT IN KIT THAT MAY BE REQUIRED

		Accessory Service Connector	999Q9 AY001
--	--	-----------------------------	-------------

ITEMS IN KIT THAT ARE REQUIRED



5. TOOLS REQUIRED
<ul style="list-style-type: none"> • Trim stick • Needle nose pliers • #2 Phillips screwdriver • Drill Motor • 6mm Drill Bit • Electrical tape, masking tape. • Scissors • Protective cloth

6. PRE-INSTALLATION CAUTION/NOTES
<ul style="list-style-type: none"> • Dealer installation recommended. Instructions may refer to Service Manual • Installation may require special tools • This part is to be installed within a surface temperature range of 65-100°F

⚠ CAUTION

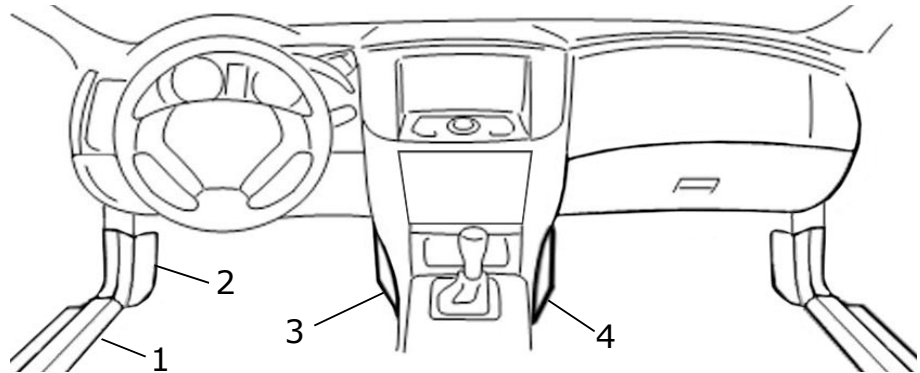
- This accessory must only be installed as specified in these instructions.
- Ensure at all times that parts are securely fitted and will not compromise the safe function of vehicle systems

INSTALLATION INSTRUCTIONS - Interior Accent Lighting Kit

7. INSTALLATION OVERVIEW

REMOVAL SEQUENCE

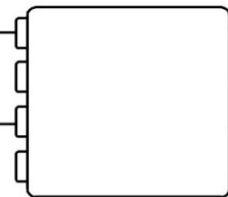
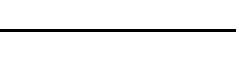
1. Door Sill Trim Panel, LH
2. Footwell Trim Panel, LH
3. Center Trim Panel, LH
4. Center Trim Panel, RH



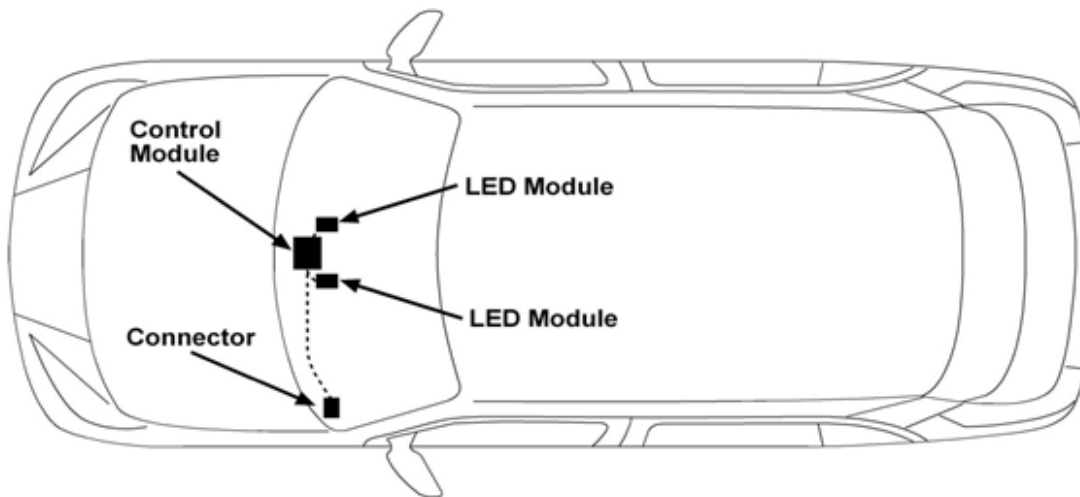
DRIVER SIDE (70 CM)



PASSENGER SIDE (70 CM)



TO DRIVER SIDE
VEHICLE
ACCESSORY
CONNECTOR



8. CRITICAL STEPS

The following steps are critical and must be performed **EXACTLY** as specified to ensure proper installation:

- Location of the lights must be followed exactly as described in this instruction.
- Posi-Tap™ instructions must be specifically followed as described.

9) VEHICLE PREPARATION:

⚠ CAUTION

• **Always confirm the ignition is in the "OFF" position before changing the switch condition.**

- 1) Apply parking brake
- 2) Confirm vehicle is not in the default shipping state or "Inventory position" as shown below. Failure to confirm vehicle has been removed from this state will result in loss of normal vehicle operation.
- 3) Locate Extended Storage Switch in cabin fuse block. Confirm it is in the "Customer" position. See below for reference.

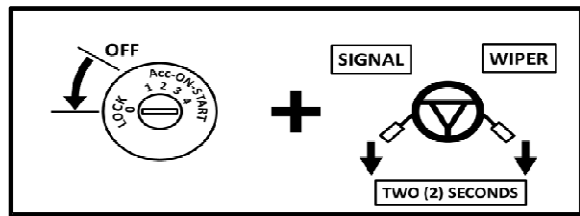
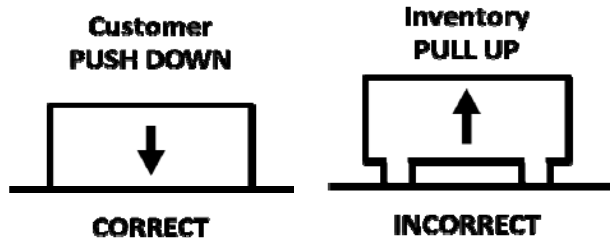
a) To remove transit mode (Fuse Block):

1. Remove fuse cover lid.
2. Push down shorting pin.
3. Ign On 2 times without starting the vehicle.

b) To remove transit mode (BCM):

1. Confirm ignition switch is in "OFF" position.
2. Simultaneously push the signal and wiper switch fully down for two (2) seconds.

NOTE: While in BCM Transit Mode, turn signal indicators will remain illuminated for one minute.



c) To return to transit mode for storage:

1. Ign Off.
2. Remove fuse cover lid.
3. Pull up shorting pin.
4. Assemble fuse cover lid.
5. Ign On 2 times without turn the vehicle on.
6. Confirm transit mode condition on meter

NOTE: Typical vehicle condition shown above. Switch is easily identifiable by the permanent, push-pull fuse holder. Actual position on the fuse block may vary, vehicle to vehicle.

Condition	Switch Position	Note
Vehicle is delivered to the dealer	Inventory Condition	
Technician performs PDI	Customer Delivery	Return to Inventory position after PDI.
Customer test drives the vehicle	Customer Delivery	Return to Inventory position after test drive.
Vehicle is being stored at the dealer	Inventory Condition	
Vehicle is delivered to customer	Customer Delivery	

NOTE: The Extended Storage Switch is only an aid to improve battery life during vehicle storage at the dealer. If the Extended Storage Switch fuse ever needs service after vehicle delivery, discard the Extended Storage Switch and install the correct fuse in its place.

- 4) Turn ignition switch to "ON" position
- 5) Record the customer radio presets and other presets as required.

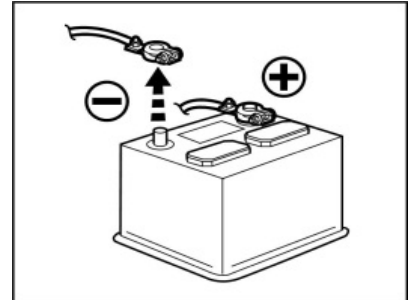
Preset	1	2	3	4	5	6		

- 6) Put shift lever in "P" position for A/T and CVT or "1st" for M/T
- 7) Turn ignition switch to "OFF" position
- 8) Use seat and floor protection.

INSTALLATION INSTRUCTIONS - Interior Accent Lighting Kit

CAUTION

- Disconnect negative battery terminal as shown before proceeding.



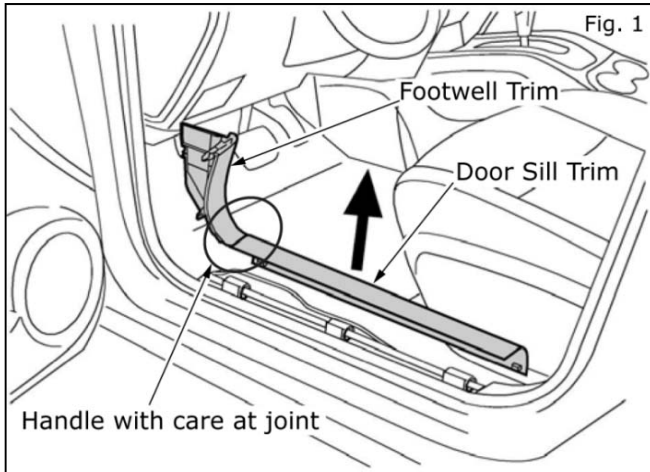
NOTE: USE CAUTION WHEN REMOVING / RE-INSTALLING TRIM COMPONENTS TO AVOID DAMAGE, SCRATCHES, BREAKING OF CLIPS AND / OR INTERIOR TRIM PANELS. MOVE ALL TRIM COMPONENTS TO A PROTECTED AREA.

10. Order of Installation

- | | |
|--|---------------------------------|
| a. Interior preparation - remove panels. | d. Install - Vehicle interface. |
| b. Install - Passenger Footwell light. | e. System check. |
| c. Install - Driver Footwell light. | f. Reinstall - Panels. |

INSTALLATION INSTRUCTIONS - Interior Accent Lighting Kit

11. INTERIOR PREPARATION



BEGIN ON DRIVER SIDE

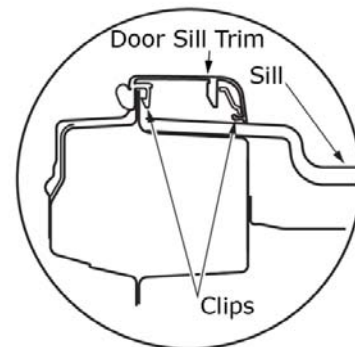
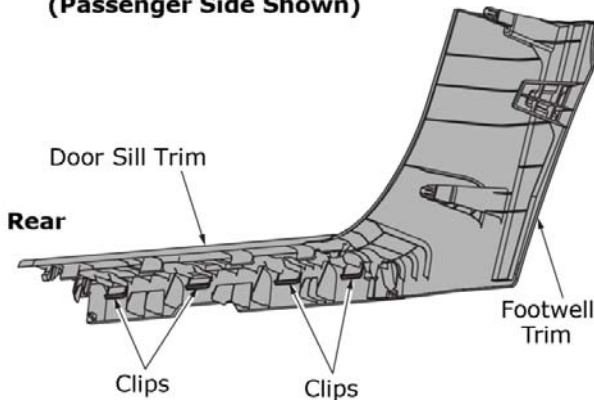
1. Move seat rearward. Use a trim stick to carefully pry off the trim panel, pulling the part horizontally toward center of vehicle.

NOTE: Be careful not to damage the clips on the inside of the panel

2. Place fingers at rear inside clip and pull out with a slight rotating motion until clip is popped loose, then pull up from rear to remove door sill trim panel.

Underside of Door Sill Trim Panel (Passenger Side Shown)

Fig. 2



3. Carefully pry out center stay panel from the driver side of the center stack. Pry off the back edge first, then pull back to release front retainer tab.

NOTE: Be careful not to damage any clips on the panel during removal.

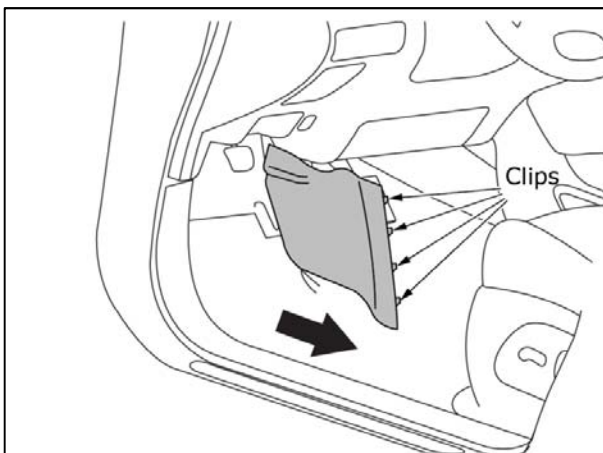
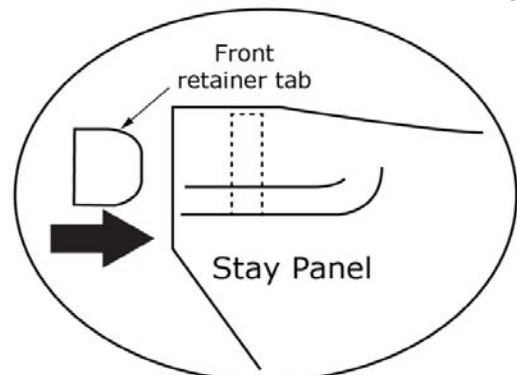


Fig. 3



INSTALLATION INSTRUCTIONS - Interior Accent Lighting Kit

11. INTERIOR PREPARATION

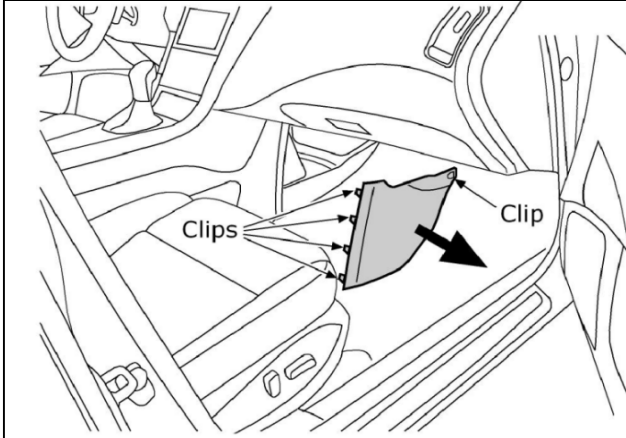
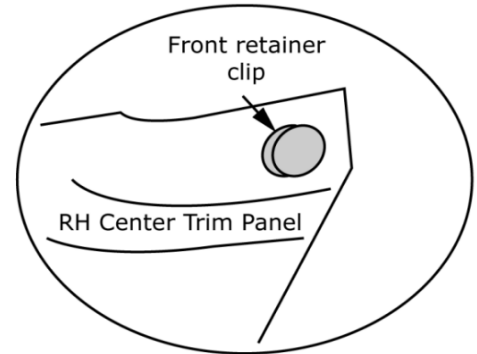


Fig. 4



4. Carefully pry out retainer clip and center stay cover from the passenger side of the center stack.

NOTE: Be sure the front retainer clip stays with the panel.

NOTE: Be careful not to damage any clips on the panel during removal.

12. INSTALLATION

PASSENGER SIDE LED MODULE INSTALLATION

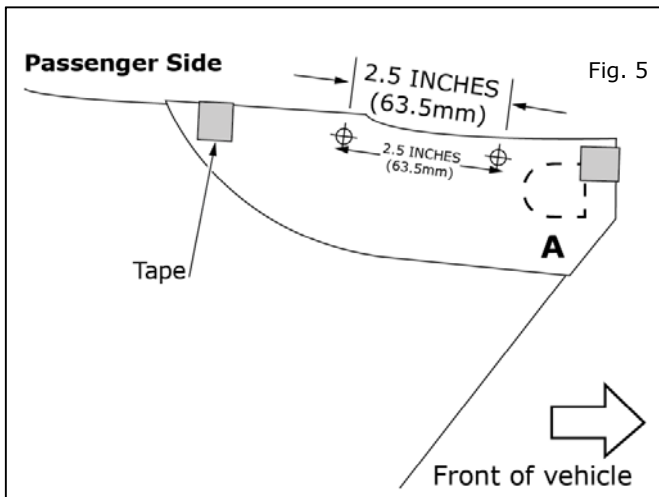


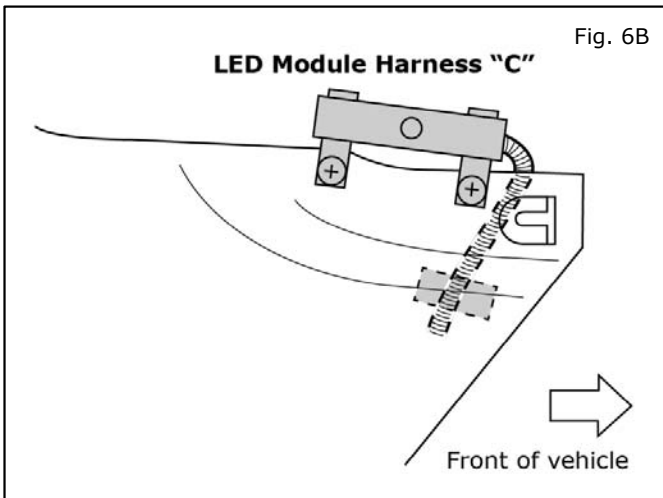
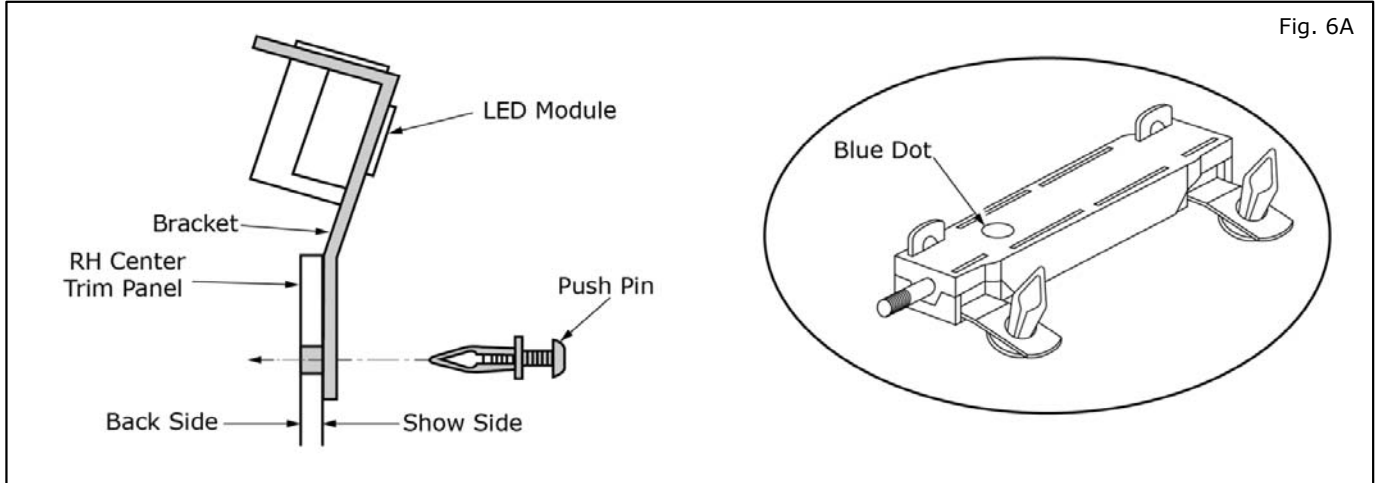
Fig. 5

5. Place the passenger side stay cover on a protected work surface.

Trim out template "A" and tape into place outside the panel as shown. Mark and drill two (2) 6mm holes indicated on the template. Remove the template. Clean any flashing from the hole.

INSTALLATION INSTRUCTIONS - Interior Accent Lighting Kit

12. INSTALLATION



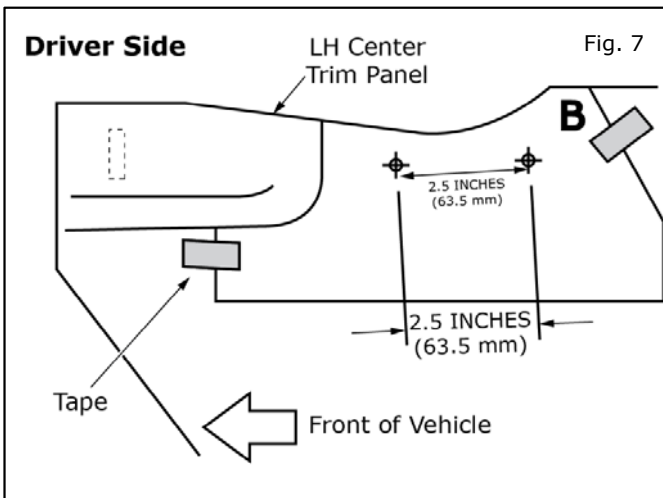
- Use two (2) push pin fasteners in the bracket, as shown below. Place the passenger side LED module on the **outside** of the panel with the LED facing away from the center console and push the pins in to mount the LED to the panel. Use foam tape to secure the corrugated tubing to the panel.

NOTE: Passenger side LED module can be identified by the blue dot on the back.

NOTE: Route wire harness up over top edge of stay panel as shown.

NOTE: Ensure corrugated tube is tight against LED module after installation. Use foam tape to secure the corrugated tubing to the panel.

DRIVER SIDE LED MODULE INSTALLATION



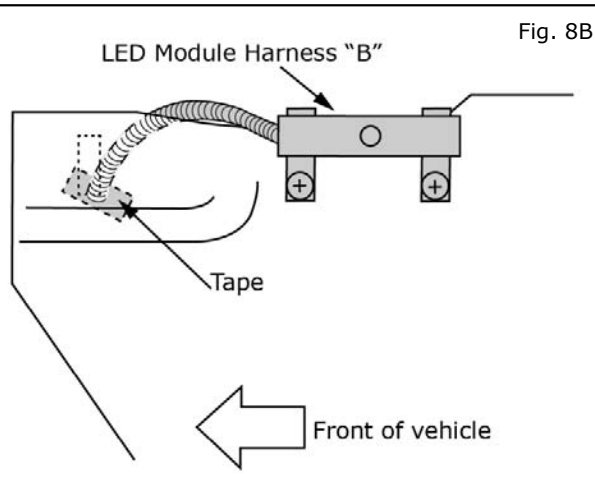
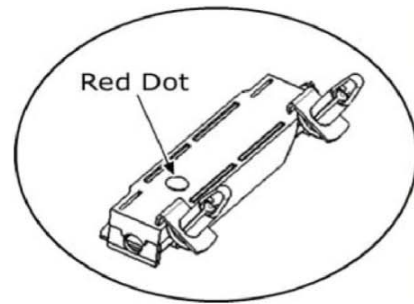
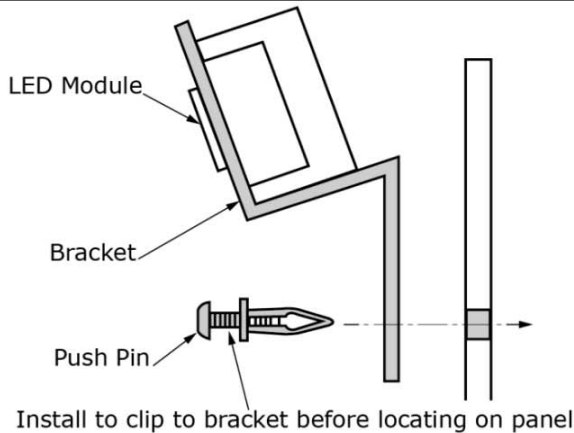
- Place the driver side stay cover on a protected work surface.

Trim out template "B" and tape into place outside the panel as shown. Mark and drill two (2) 6mm holes indicated on the template. Remove the template. Clean any flashing from the hole.

INSTALLATION INSTRUCTIONS - Interior Accent Lighting Kit

12. INSTALLATION

Fig. 8A



8. Use two (2) push pin fasteners in the bracket, as shown. Place the drivers side LED module on the **outside** of the panel with the LED facing away from the center console and push the pins in to mount the LED to the panel. Use foam tape to secure the corrugated tubing to the panel.

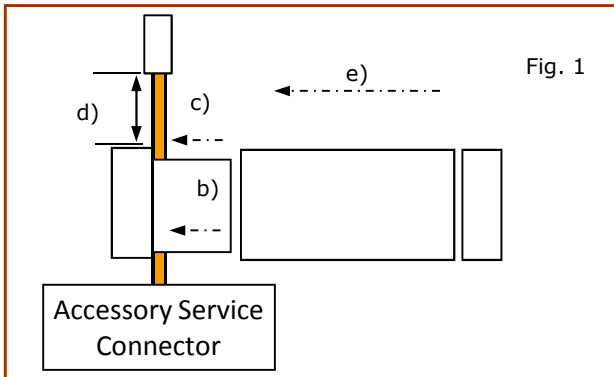
NOTE: Driver side LED module can be identified by the red dot on the back.

NOTE: Route wire harness up over top edge of stay panel as shown.

NOTE: Ensure corrugated tube is tight against LED module after installation.

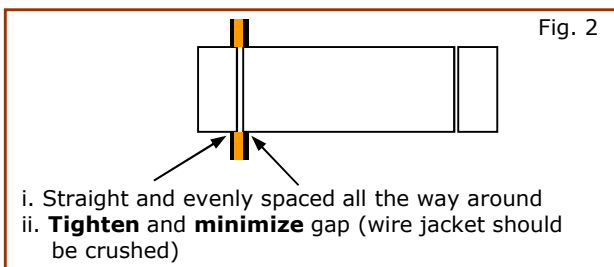
INSTALLATION INSTRUCTIONS - Interior Accent Lighting Kit

13. POSI-TAP INSTRUCTION for the Accessory Service Connector ONLY.



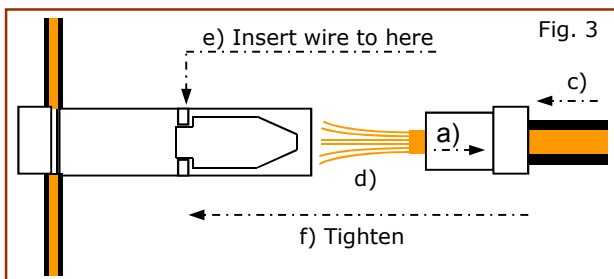
- 1) Tap Accessory service wire.
 - a) Identify and confirm correct wire in the Accessory Service Connector to be tapped.
 - b) Remove cap (slot side) from tap body.
 - c) Slide cap around single accessory wire.
 - d) Position cap $\geq 6.35\text{mm}$ (0.25 in) away from the heat shrink end of Accessory Service Connector (measurement for first posi-tap installed on the circuit).
 - e) Tighten the tap TIGHT with finger pressure.
 - f) Tighten by another quarter turn.

NOTE: Figures are not to scale.

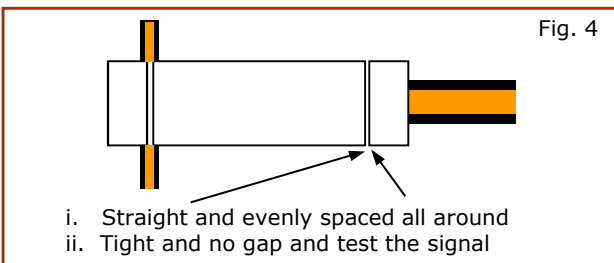


- 2) Inspect the tap to ensure correct installation.
 - a) Pull on the wire lightly to ensure connection.
 - b) Inspect the tap to ensure correct installation.
 - c) Test the signal to ensure that it is working properly.

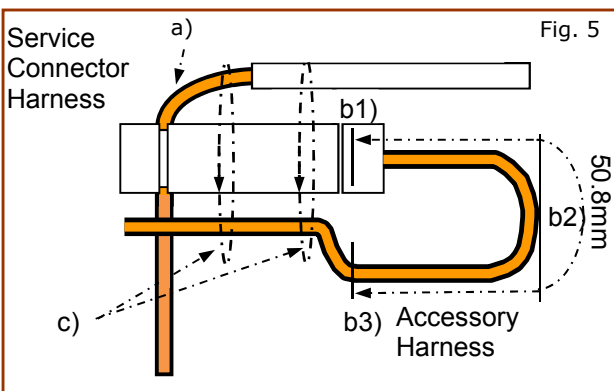
NOTE: Avoid putting pressure on the vehicle wire and tap for the remainder of the installation.



- 3) Tap accessory wire.
 - a) Remove tap (non-pierce) side from tap.
 - b) Remove the protective stub from the wire.
 - c) Insert wire through the non-pierce side opening.
 - d) Spread the individual strands into fan shape.
 - e) Insert wire into the tap body and ensure that it is all the way in.
 - f) Tighten the tap TIGHT with finger pressure.
 - g) Tighten by another quarter turn.



- 4) Confirm the tapped accessory wire.
 - a) Pull on the wire lightly to ensure connection.
 - b) Inspect the tap to ensure correct installation.
 - c) Test the signal to ensure that it is working properly.

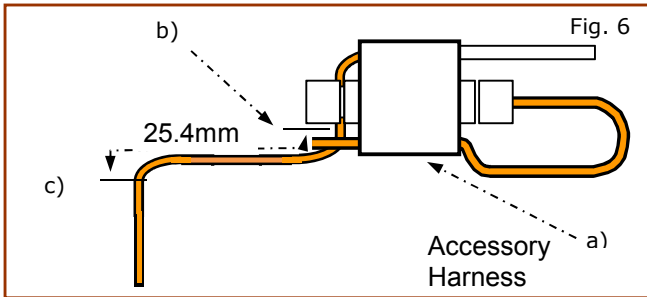


- 5) Forming strain relief loop (always required)
 - a) Gently bend the end of the pierced wire (where it exits the cap) down towards body of posi-tap.
 - b) On the tapped wire of the non-pierce side; starting at point b1), measure 50.8mm (2in) to point b3). Make the first bend of the loop b2), half the distance measured 25.4mm (1in), and up toward the body of the posi-tap, make the second bend of the loop b3) in towards the posi-tap so it can be secured with electrical tape.
 - c) Secure the pierced wire on the heat shrink side and the tapped wire on the non-pierce side to the body of the tap with electrical tape (≥ 2 revolutions).

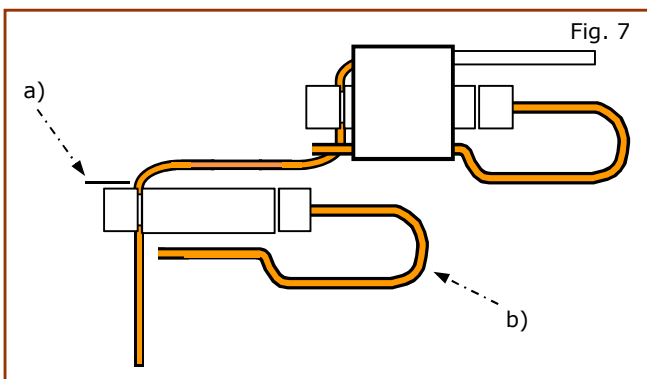
INSTALLATION INSTRUCTIONS - Interior Accent Lighting Kit

13. POSI TAP INSTRUCTION IF securing multiple posi-taps on a single circuit.

NOTE: If securing multiple taps to single circuit, continue to Step 6, if tapping different circuits repeat steps 1-5 as required, then proceed to step 10

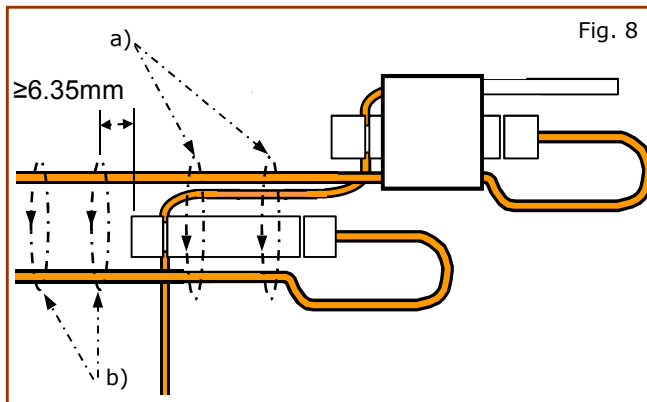


- 6) Multiple posi-taps on the same wire; first tap
 - a) The first accessory is tapped, relieved and secured as shown in Fig 1 thru 5 (these steps are always the same).
 - b) Measure 25.4mm(1in) from point b) to point c) on the pierced wire.
 - c) At points b) & c), bend the pierced wire gently to form the "staircase" shape.



- 7) Multiple posi-taps; second accessory.
 - a) Tap second accessory at point b), making sure to preserve "staircase shape".
 - b) After tapping second accessory, form a strain relief loop for the tapped wire on the non-pierce side as shown in Fig c) and detailed in step 5b).

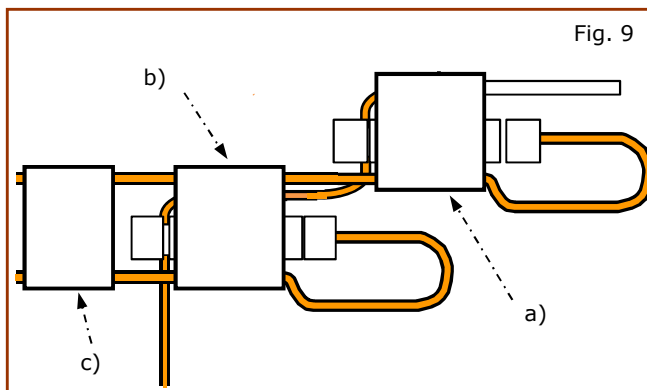
NOTE: Do not secure before reading step 8. Repeat as necessary.



- 8) Securing multiple posi-taps on the same circuit
 - a) Secure the pierced and tapped wires from the first posi-tap, along with the tapped wire from the non pierce side of the 2nd posi-tap to the body of the 2nd tap with electrical tape (≥ 2 revolutions).
 - b) Secure the tapped wires from the non-pierced sides of each tap to each other with electrical tape (≥ 2 revolutions)at a distance of $\geq 6.35\text{mm}(0.25\text{in})$ from the head of last posi-tap shown in Fig b).

Note: Repeat as required

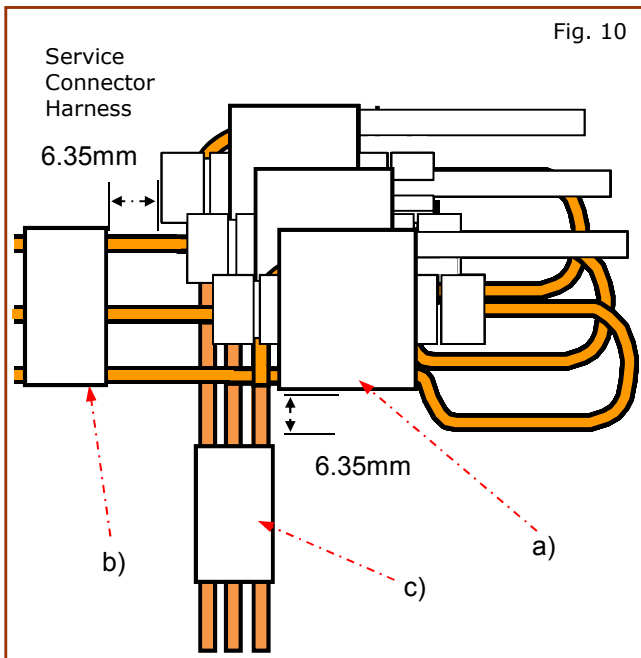
Note: No single wire should be posi-tapped more than four times to maintain integrity.



- 9) Multiple accessory taps on the same circuit secured.
 - a) The first accessory is tapped, relieved and has the pierced wire on the heat shrink side and the tapped wire on the non-pierce side secured to the first tap as shown in Fig a).
 - b) The second accessory is tapped, relieved and has the pierced wire, the tapped wire on the non-pierce side and the tapped wire from the non-pierce side of the first posi-tap secured to the second tap as shown in Fig b).
 - c) Finally the tapped wires on the non-pierce side of the first and subsequent posi-taps are secured to each other as shown in Fig c).

INSTALLATION INSTRUCTIONS - Interior Accent Lighting Kit

13. POSI TAP INSTRUCTION for securing multiple tapped wires together.



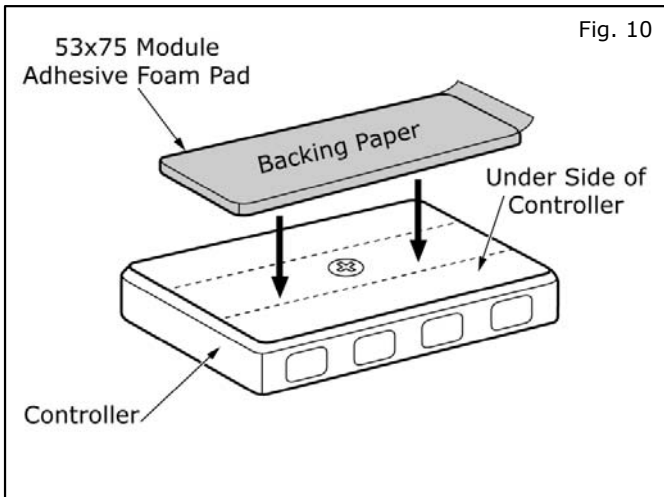
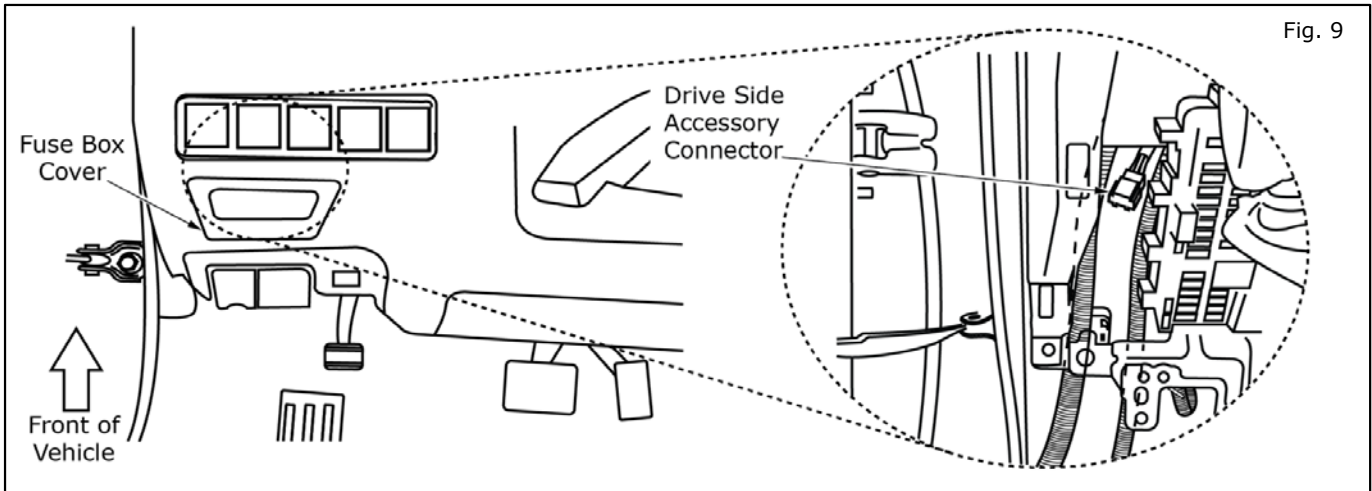
- 10) Multiple accessory taps on different circuits secured together.
- a) The tapped accessories (with wires already secured to tap bodies) are stacked slightly staggered on top of each other as shown in Fig a).
 - b) The tapped wires on the non-pierce side of all the posi-taps are secured to each other with electrical tape (≥ 2 revolutions) at a distance of $\geq 6.35\text{mm}$ (0.25in) as shown in Fig b).
 - c) The pierced wires of the first and subsequent posi-taps are secured to each other with electrical tape (≥ 2 revolutions) at a distance of $\geq 6.35\text{mm}$ (0.25in) as shown in Fig c).

INSTALLATION INSTRUCTIONS - Interior Accent Lighting Kit

14. INSTALLATION

⚠ CAUTION

- If a vehicle wire is being used by another accessory and a posi-Tap is present, tap the accessory wire **NOT** the vehicle wire.



9. Locate the **driver side** Accessory Connector plug behind the access panel on the outer edge of the dash. Pull the plug free from the tape.

NOTE: A previously installed accessory may be present. If so, carefully remove the accessory connector harness from the accessory connector plug before posi-tapping. It is recommended that all posi-tapping be completed before reattaching the accessory connector harness to the plug.

NOTE: Attach one (1) 58mm x 82mm foam tape to the underside of the accessory control module, covering the screw in the center.

10. Place one (1) piece of foam tape over the top of the accessory controller.

It should be on the opposite side of the sticky foam tape covering the screw.

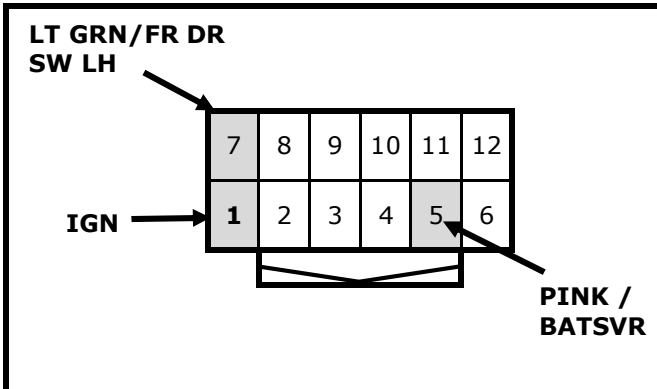
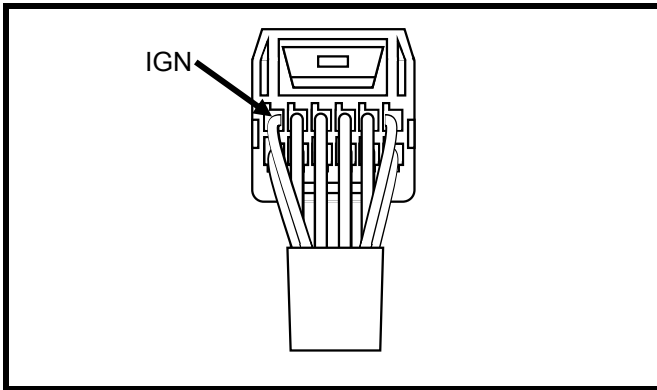
NOTE: Do NOT pull cover off tape on controller at this time.

INSTALLATION INSTRUCTIONS - Interior Accent Lighting Kit

14. INSTALLATION

⚠ CAUTION

- This Accessory Service Connector is for use only with Genuine Nissan (or Infiniti) or Nissan (or Infiniti) approved accessories. Use of this connector with non Genuine Nissan (or Infiniti) or Nissan (or Infiniti) approved accessories or failure to follow the installation instructions for the connector mentioned in this package may result in damage to the accessory and/or your vehicle. Nissan (or Infiniti) is not liable for loss or damage due to improper installation or the installation of non Genuine or non approved accessories.



999Q9 AY001		
Pin	Label	Color
1	IGN	WHITE
2	BAT	RED
3	TL_LMP	PURPLE
4	RM_LMP	YELLOW
5	BATSVR	PINK
6	FR_DR_SW_RH	DK GRN
7	FR_DR_SW_LH	LT GRN
8	DR_LK_DR_FL_AS	GREY
9	RR_DR_RH	DK BLUE
10	RR_DR_LH	LT BLUE
11	ACC	ORANGE
12	GND	BLACK

Pin location is referenced looking into face of connector

Black wire from the Control Module to the Black wire on the Connector Harness.

Green wire from the Control Module to the Pink wire on the Connector Harness.

Blue wire from the Control Module to the Purple wire on the Connector Harness.

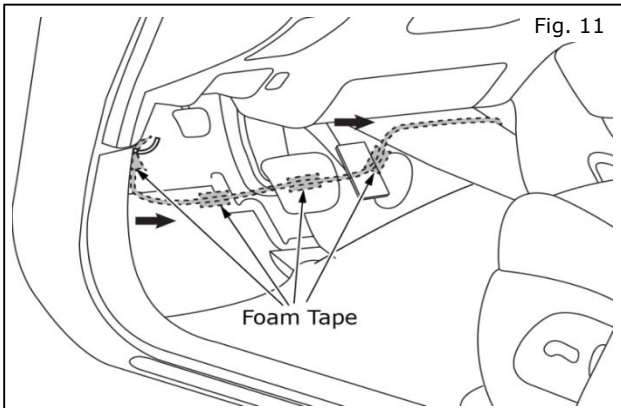
Brown wire from the Control Module to the Yellow wire on the Connector Harness.

Use posi-taps to connect the wiring as follows:

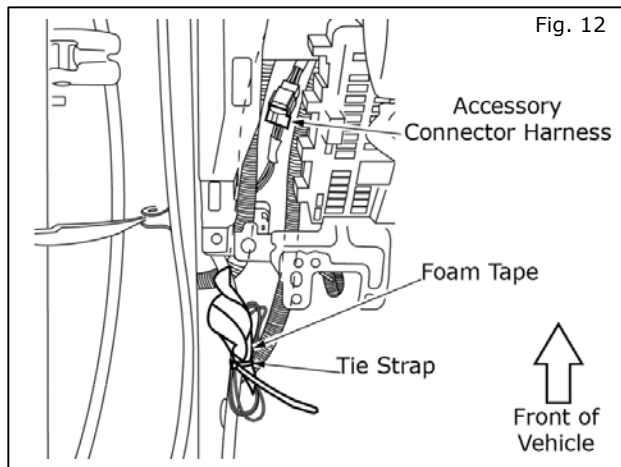
**HARNESS NOT INCLUDED IN KIT.
REFERENCE PART NUMBER 999Q9 AY001.**

INSTALLATION INSTRUCTIONS - Interior Accent Lighting Kit

14. INSTALLATION



11. Feed the Accessory Connector harness through the center stack to the Passenger Side footwell. Route the Accessory Connector harness under the carpet in the driver side footwell. Secure harness with four (4) pieces of foam tape from center stack to the accessory connector in the footwell trim panel.



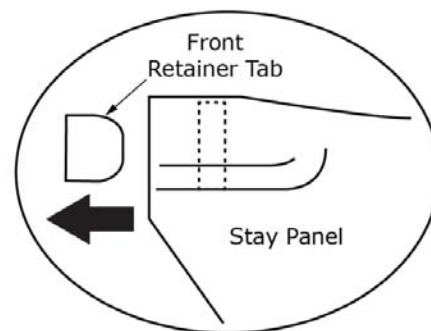
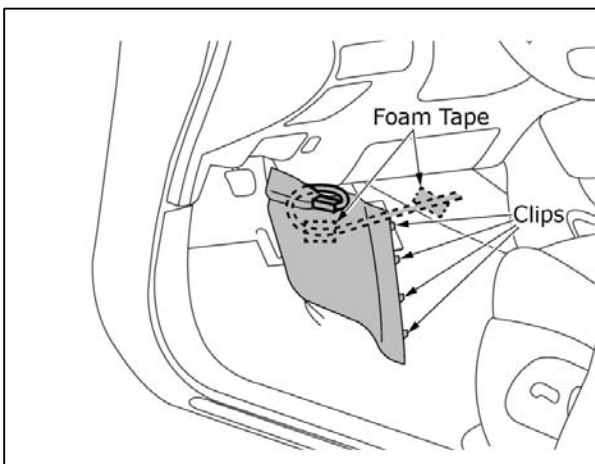
12. **Plug** the Accessory Connector Harness into the vehicle connector plug on the **driver side**. Loop the excess wire harness length and protect the loop with a piece of foam tape, secure the loop with tie strap to wire harness bundle. Reinstall the cover panel.

NOTE: Review Posi-Tap finishing steps on pages 8 -10 to secure wire bundle.

**HARNESS NOT INCLUDED IN KIT.
REFERENCE PART NUMBER
999Q9 AY001.**

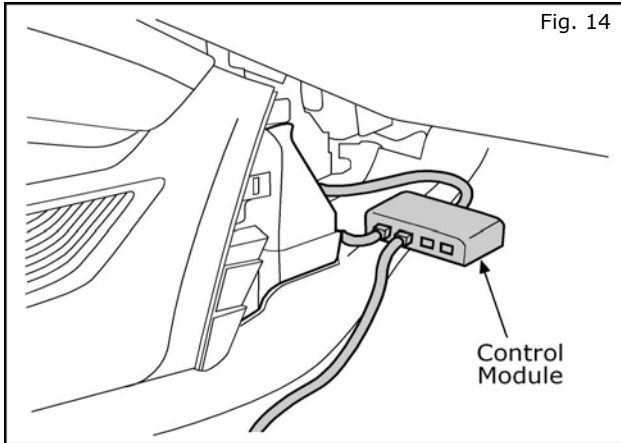
13. Position the driver side stay panel with LED mounted near center stack, secure LED harness to center stack with foam tape so excess LED harness will not show under stay panel, and route the Driver LED Harness through the center stack to the Passenger side footwell. Carefully **reinstall** the stay panel.

NOTE: Be careful not to damage any clips on the panel during reinstallation.



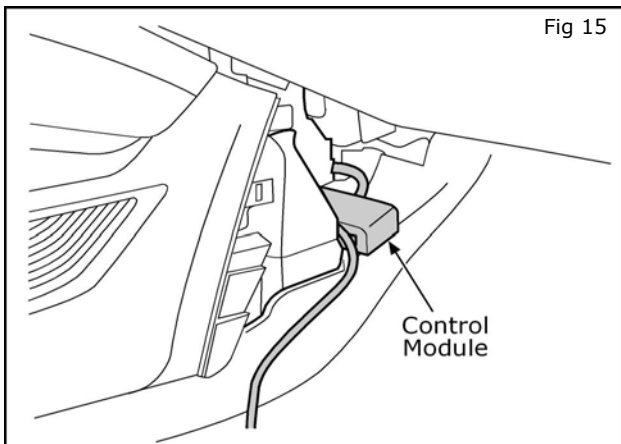
INSTALLATION INSTRUCTIONS - Interior Accent Lighting Kit

14. INSTALLATION



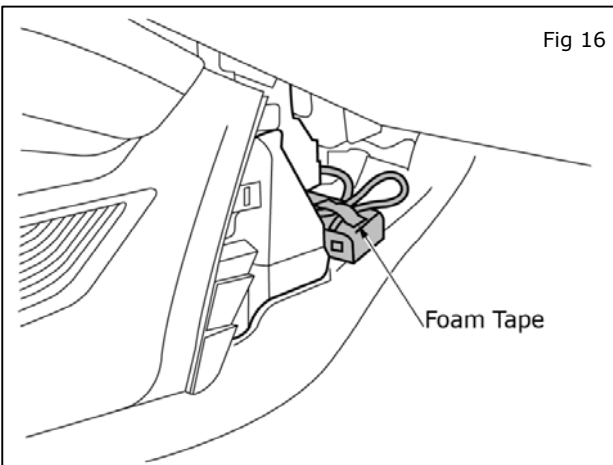
14. Position the Control Module near the center stack. Position the Passenger Side stay panel near the center stack. Plug all harnesses into the control module.

NOTE: Be sure to connect all harness plugs to the control module BEFORE final mounting.



15. Peel the cover off the tape on the controller. Securely place the controller on the carpet under the center stack.

NOTE: Avoid placing the control module directly under the HVAC. Condensation could cause moisture to drip on electrical connections.



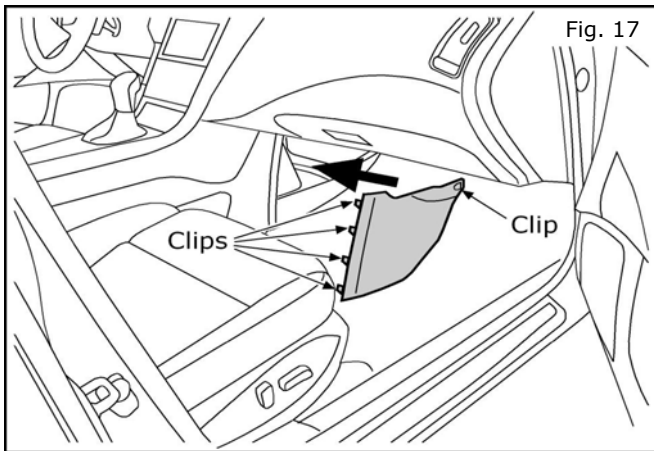
16. Position the passenger side stay panel with LED mounted near center stack, secure LED harness to center stack or top of module with foam tape so excess LED harness will not show under stay panel.

Bundle any excess wiring and secure with foam tape under the center stack. **Secure** the wiring from the module to the underside of the vent ducting with foam tape.

Note: Be sure cables do not touch foot well

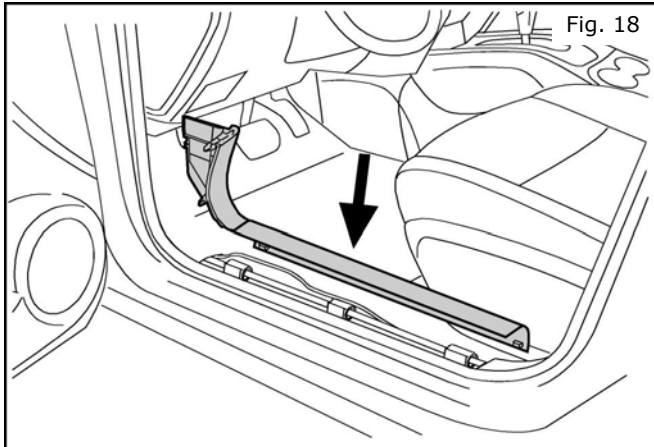
INSTALLATION INSTRUCTIONS - Interior Accent Lighting Kit

14. INSTALLATION



17. Carefully **reinstall** the side stay cover with LED mounted on the passenger side of the center stack.

NOTE: Be careful not to damage any clips on the panel.



18. **Reinstall** the outer footwell trim panel on the driver side of the vehicle.

NOTE: Be careful not to damage the clips on the inside of the panel.

NOTE: Trim all cable ties. Check installation.

INSTALLATION INSTRUCTIONS - Interior Accent Lighting Kit

15. CHECK OUT

- (1) Shut all doors on the vehicle.
- (2) Wait until all interior lamps go out.
- (3) Turn on **the headlamps**.
- (4) Verify that both LEDS come on and that there is no dark cutoff area on the passenger side.
To adjust, bend LED module further to eliminate dark cutoff in toe area of pass footwell.
- (5) Check the trim for a proper, flush fit after re-installing the interior components.
- (6) Clean the interior of the vehicle.
- (7) Inspect the vehicle interior and exterior for damage.
- (8) Check and clear trouble codes (DTC).
- (9) If this vehicle will be returned to a dealer lot or showroom for an extended period of time, be sure the extended storage switch is placed in the "inventory" position.
(Refer to section 9 - Vehicle Preparation)
- (10) If vehicle is NOT going into storage, reset the radio presets to the recorded settings.

Note: When diagnosing electrical system problems, first disconnect the accessory connectors and note effect on system. Continue the investigation with the accessory connectors disconnected. Remember to reconnect the accessories when the investigation is complete.

Posi-Tap™ is protected by patent # 5,228,875 5,695,369 5,868,589 6,692,313 Jap 2881414 Aus 708700 Tia 103534 Can 2204826 Mex 200626 Korea 477279 China Z197105562.9 & others pending.

INSTALLATION INSTRUCTIONS - Interior Accent Lighting Kit

16. BILL OF MATERIALS

Nissan Universal Accent Lighting Kit - 999F3 C3000

	Parts Contained in Bag Labelled 'Installation Kit'.	Qty	Part Number
1	Accent Lighting Controller (Single Color - White)	1	999F3 C3400
2	LED Lamp Assembly (w/Harness) 70 CM	1	999F3 C3100
3	LED Lamp Assembly (w/Harness) 70 CM	1	999F3 C3200
4	Vehicle Interface Harness	1	999F3 AW050
5	Fixing Kit	1	999F3 C3300
6	CABLE TIE 4" BLACK	12	
7	80 X 30 X 5MM THICK FOAM	16	
8	POSI-TAP (20AWG/0.5mm2 TYPE)	4	
9	PLASTIC PUSH PIN	4	
10	MODULE ADHESIVE PAD 53MM X 74MM	1	
11	WHITE PAPER LABEL 14MM X 33MM	1	
12	POLYTHENE 8" X 12" BAG	1	
13	POLYTHENE 102" X 140" BAG	3	
14	POLYTHENE BAG PLB 8X6/SS	1	
15	PACKING ID LABEL	1	
16	Website Instructions w/Parts List	1	999V2 AW000
17	Installation Instructions (Website)	0	999F3 C3000 II
18	Accessory Connector Harness (NOT INCLUDED IN KIT)	1	999Q9 AY001

INSTALLATION INSTRUCTIONS - Interior Accent Lighting Kit

17. MECHANIZATION

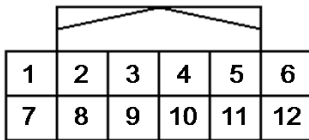
ACCY_SER_CONN

ACCENT LIGHTING KIT

DRIVER SIDE CONNECTOR

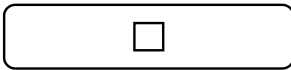


TH12FW-NH



Note: Pin location is referenced looking into wire side of connector.

LED MODULE - DRVR SIDE



LED MODULE - PASS SIDE



CONTROL MODULE

BLUE

GRN

BRN

BLK

Legend

Posi tap

← Gray

← Red

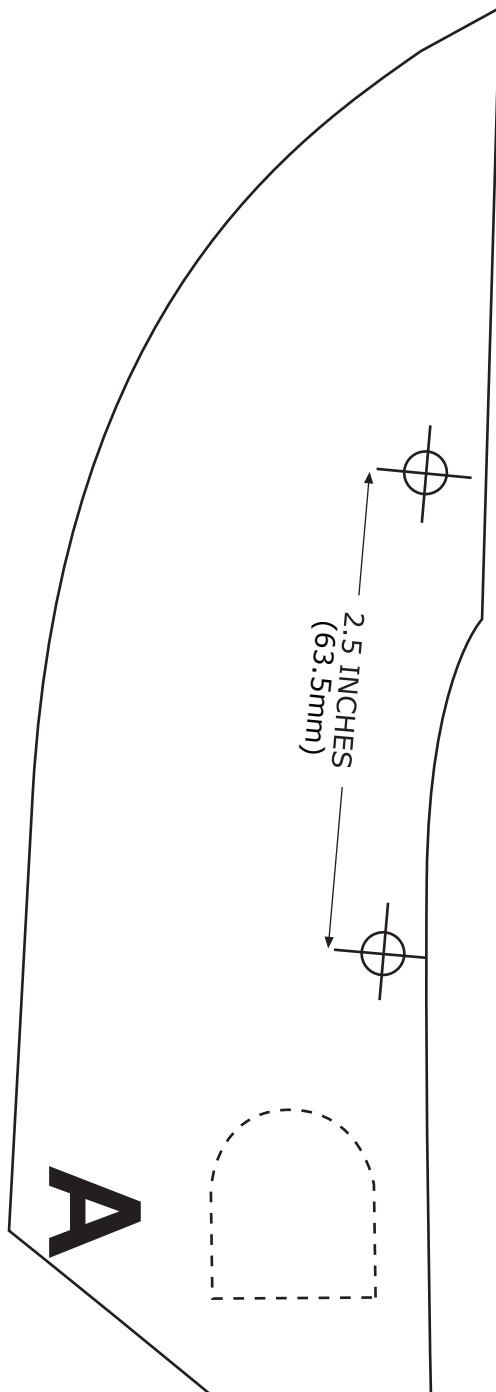
INSTALLATION INSTRUCTIONS - Interior Accent Lighting Kit

17. MECHANIZATION

(BACK BLANK PAGE)

INSTALLATION INSTRUCTIONS - Interior Accent Lighting Kit

18. TEMPLATE A



SCALE
1 inch



**IMPORTANT: BE SURE
PRINTER PAGE SETTING
IS PROPERLY ADJUSTED
SO TEMPLATE PRINTS AT
ACTUAL SIZE.**

**VERIFY ACCURATE SIZING
WITH A RULER BEFORE
TRIMMING OUT TEMPLATE.**

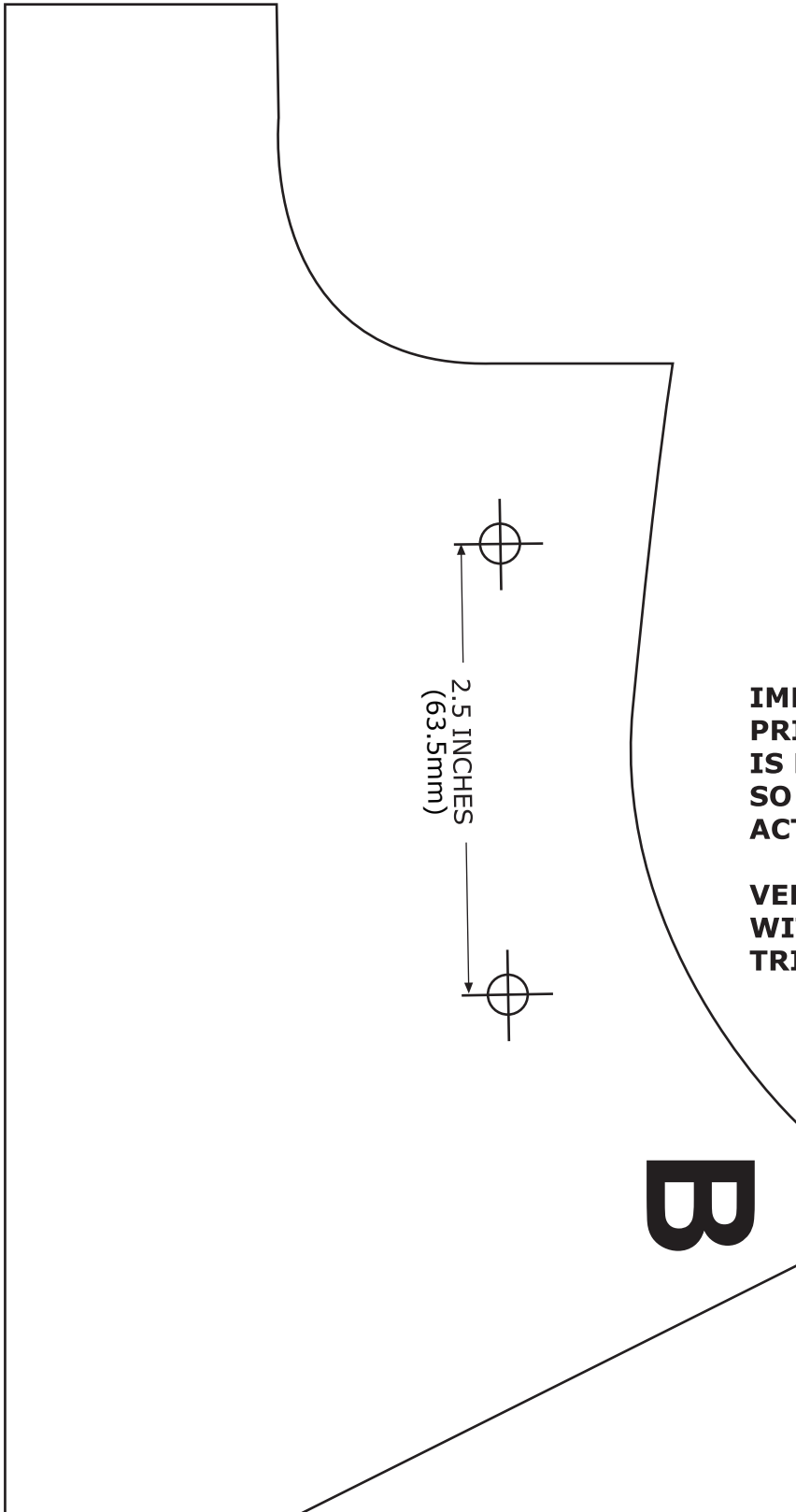
INSTALLATION INSTRUCTIONS - Interior Accent Lighting Kit

18. TEMPLATE A

(BACK BLANK PAGE)

INSTALLATION INSTRUCTIONS - Interior Accent Lighting Kit

19. TEMPLATE B



SCALE
1 inch

 **10mm**

**IMPORTANT: BE SURE
PRINTER PAGE SETTING
IS PROPERLY ADJUSTED
SO TEMPLATE PRINTS AT
ACTUAL SIZE.**

**VERIFY ACCURATE SIZING
WITH A RULER BEFORE
TRIMMING OUT TEMPLATE.**

INSTALLATION INSTRUCTIONS - Interior Accent Lighting Kit

19. TEMPLATE B

(BACK BLANK PAGE)